



# PVP5200, PVP4800, PVP4600, PVP3500, PVP2500

## Residential Grid-Tied Inverter Series



### Optional Performance Monitoring



Performance monitoring solutions are available on all PV Powered inverters and include low cost, secure web-based access to PV system status and performance history.

PV Powered inverters deliver maximum energy harvest from your PV system with high reliability and industry-leading efficiency. Significant software integration and a modular design combine to create a scalable platform with fewer components and higher uptime. By employing fewer parts and ensuring those parts are of the highest quality, PV Powered has created a line of residential grid-tied inverters that spend more time generating electricity and less time being repaired. Should repairs become necessary, PV Powered residential inverters are backed by a service reimbursement program unparalleled in the industry and a proven track record of RMA or field service repairs that will get your PV system back up and running promptly.

Additionally, performance monitoring is available which includes low cost, secure web-based access to your system's status and performance history. With the optional PVM1010 data module, you can add low cost, secure web-based access to your PV system status and performance history.

### FEATURES

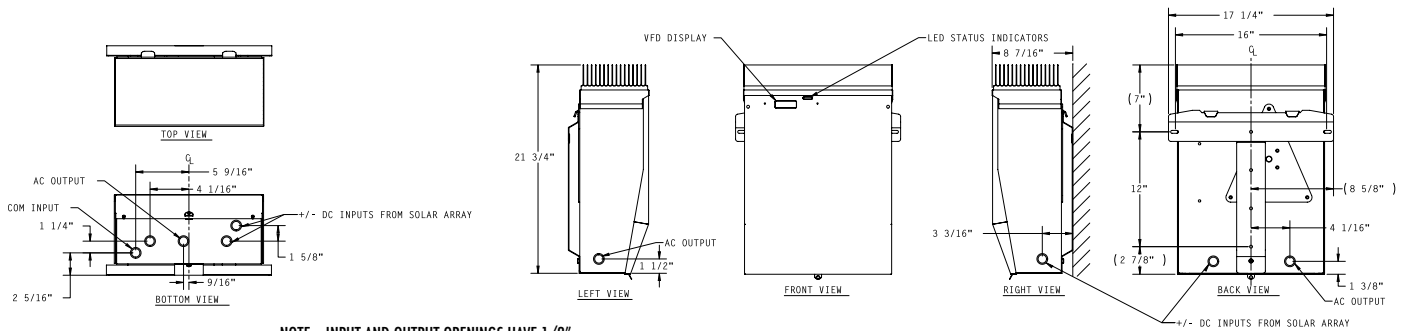
- **Leading reliability**
  - Significant software integration versus complex hardware design
  - Lowest part counts and fewest interconnects eliminate common failure points
  - Field-proven with thousands of units installed nationwide
- **Maximum energy yield**
  - Industry leading CEC efficiencies
  - No thermal fold back or power de-rating
  - Advanced 5th generation silicon
  - Optional performance monitoring hardware
  - Improved start up, shut down and MPPT algorithms deliver increased energy
- **Easy installation**
  - No neutral required with three wire AC installations meeting the revised UL1741 standard
  - Field-configurable grounding scheme with simple jumper selection
  - 10 knockouts for a variety of conduit routing
  - Enhanced text based display
  - Aluminum anti-corrosive NEMA 3R enclosure
- **Installer-focused support**
  - No special clubs or purchase requirements to get the best technical support in the industry
  - Live phone support
  - \$400 service reimbursement that sets the industry standard for RMA compensation

150 SW Scalehouse Loop  
Bend OR 97702

541-312-3832  
WWW.PVPOWERED.COM

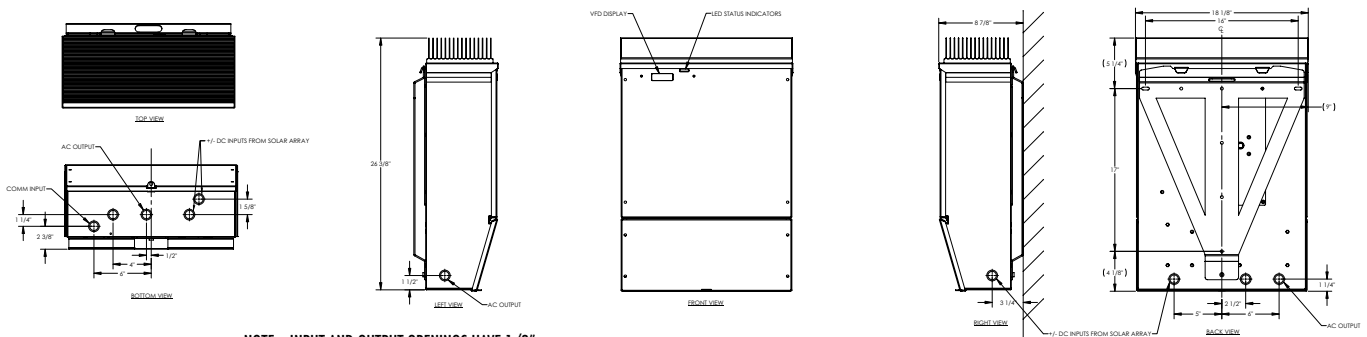
## DIMENSIONS

### PVP2500 & PVP3500



NOTE: INPUT AND OUTPUT OPENINGS HAVE 1/2" AND 3/4" DIAMETER KNOCKOUTS

### PVP4600, PVP4800, PVP5200



NOTE: INPUT AND OUTPUT OPENINGS HAVE 1/2" AND 3/4" DIAMETER KNOCKOUTS

## ELECTRICAL SPECIFICATIONS

MODEL	PVP5200	PVP4800	PVP4600	PVP3500	PVP2500
Continuous Output Power (watts)	5200	4800	4600	3500	2500
Weighted CEC Efficiency (%)	96	96	95.5	95.5	94.5
Maximum DC Input Voltage (VOC)	500	500	500	500	500
DC Voltage Operating Range (V)	240-450	200-450	205-450	200-450	140-450
DC Isc Maximum Current (A)	48	48	48	26	26
DC Imp Nominal Current (A)	25	26	25	18	20
AC Nominal Voltage (V)	240	240	208	240	240
AC Operating Range (V)	211-264	211-264	183-229	211-264	211-264
AC Frequency Range (Hz)	59.3-60.5	59.3-60.5	59.3-60.5	59.3-60.5	59.3-60.5
AC Maximum Continuous Current (A)	23	23	23	15	11

## MECHANICAL SPECIFICATIONS

MODEL	PVP5200	PVP4800	PVP4600	PVP3500	PVP2500
NEMA 3R (Outdoor Rated)	✓	✓	✓	✓	✓
Sealed Aluminum Enclosure	✓	✓	✓	✓	✓
Wall Mounted with Included Bracket	✓	✓	✓	✓	✓
Weight (lbs)	135	135	135	85	70

## AGENCY APPROVALS

MODEL	PVP5200	PVP4800	PVP4600	PVP3500	PVP2500
UL 1741 Nov 2005 Revision, IEEE 1547 Compliant, FCC Class A & B	✓	✓	✓	✓	✓

